

## 一、概述

ZSPY15-20是业界最通用、大型车载式排烟设备，凭借其多样性的配置，可在边车载上实现落地、正负压排，该车载式排烟系统非常适用于大型仓库、商业建筑、高层建筑、地铁、隧道、地下停车场机场和大众康复区域等大型场所的通风及排烟。配有水雾发生器，可喷水雾、迅速降低火场温度，并可压制浓烈、高温、有毒、可燃等气体。

ZSPY15-20 is the most common and large-scale vehicle mounted smoke exhaust equipment in the industry. With its diversified configurations, it can achieve landing and positive and negative pressure exhaust on rear side vehicles. This vehicle mounted smoke exhaust system is very suitable for ventilation and smoke exhaust in large warehouses, commercial buildings, high-rise buildings, subways, tunnels, underground parking lots, public rehabilitation areas and other large places. Equipped with a water mist generator, it can spray water mist, quickly reduce the temperature of the fire, and suppress strong, high temperature, toxic, flammable and other gases.



(参考图片)

## 二、主要性能参数 Main performance parameters

最大排烟量 (m <sup>3</sup> /h):	15-20 万立方米/小时
Maximum discharge rate form the air outlet (m <sup>3</sup> /h) :	150000-200000 cubic meters/hour
续航时间 (小时):	4h
Endurance time (hours):	4h
发动机功率 (kW):	192 kW
Engine power (kW):	192 kW
燃油:	汽油
Fuel:	gasoline

## 三、主要配置

排烟系统 Smoke exhaust system	<b>风量:</b> (m <sup>3</sup> /h) Air Volume: (m <sup>3</sup> /h)	15 万-20 万 150000 to 200000
动力系统 dynamical system	<b>型式:</b> Type:	汽油发动机, 直列 4 缸、 16 气门、涡轮增压、缸内直喷 Gasoline engine, inline 4-cylinder, 16 valve, turbocharged, in cylinder direct injection
	<b>缸数:</b> Number of <b>Cylinders:</b>	4 缸 4-cylinder
	<b>额定功率</b> (kW@r/min) Rated Power	192/5500
	<b>最大扭矩</b> (N.m@r/min) MAXIMUM TORQUE	400/1700-4000
	<b>续航时间</b> (h) Endurance Time ( <b>h</b> )	4

叶轮参数 Impeller parameters	直径 (mm)Diameter	1600 (6 or 8 blades, which one is more efficient and which one is used)
	材料 Material	CFRP / PAG made in Germany as manufacturer Standard or Equivalent
举升机构 lifting mechanism	驱动方式 Driving Method	液压驱动(底盘提供动力) Hydraulic drive (chassis provides power)
	回转角度 ROTATION	360 度 360 degrees
	举升高度(mm) Lifting Height (mm)	≥1300
俯仰运动 Pitch motion	俯仰角度Pitch	-10 度至+20 度 -10 degrees to+20 degrees
控制系统 Control System	动力控制系统 Power Control System	控制面板/无线遥控器 Wired Control / remote control
	控制内容 Control Content	发动机启停, 油门加减, 一键展开、一键复位、排烟机升降、俯仰、回转, 水雾开关, 急停等 Engine start/stop, throttle increase/decrease, smoke exhaust fan lifting, pitching, turning, emergency stop
水雾系统 Water Mist System	流量: (L/S @1.0MPa ) Flow: (L/S @1.0MPa )	5.4
	喷咀数量 Number of nozzles	54 个 54pcs
外形尺寸 Overall dimensions	W*D*H(mm) Gross Weight: kg	1800*2050*2250 2000

#### 四、车辆配置需求 Vehicle configuration requirements

1. 提供液压动力源

1. Provide hydraulics power source, inc, PTO, Propeller shaft, Pump, Oil tank, Cooler, Hoses and Fitting.

2. 提供水雾压力水源。

2. Provide water mist pressure source, Water pump, Water tank, Valves, Piping assembly.

3. 如果需要，提供合适的液压或手动千斤顶支架

3. Provide suitable hydraulic or manual jack stand if required

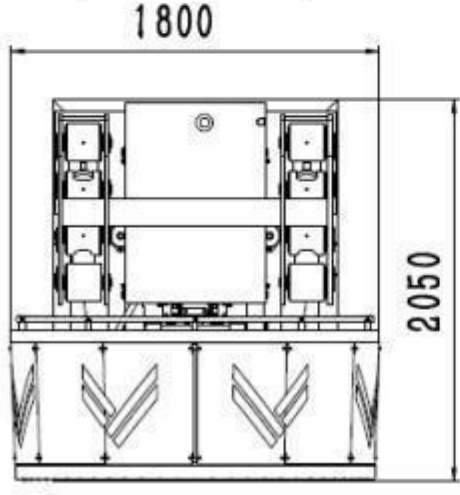
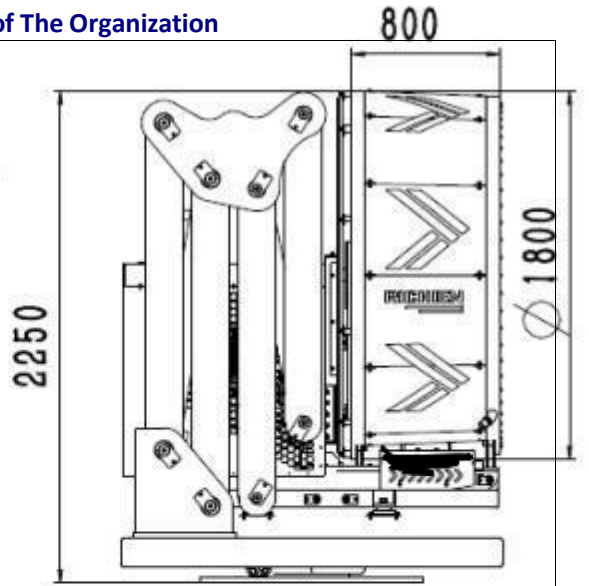
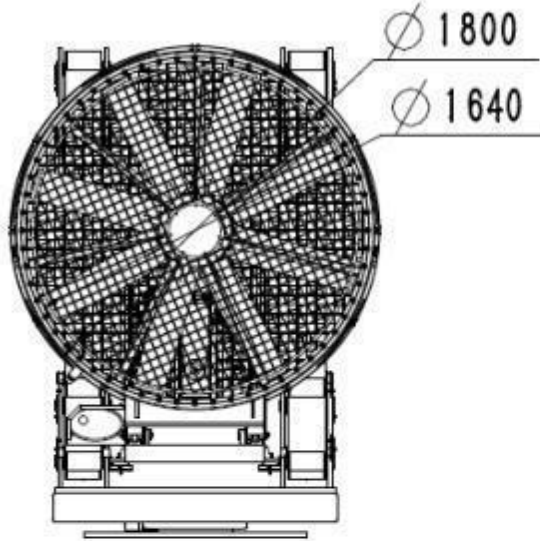
4. 要求底盘GVW/PayLoad (最小kg): >7000kg/>3000kg


4. Require chassis GVW / Payload (min kg) : >7000kg / >3000kg

▪

五、机构不同状态示意 Schematic Diagram of Different States of The Organization

全面收拢  
状态  
Fully  
Collapsed  
State



<p>最高举升 状态 Maximum Lifting State 1.300mm</p>	
<p>落地状态 Landing State</p>	